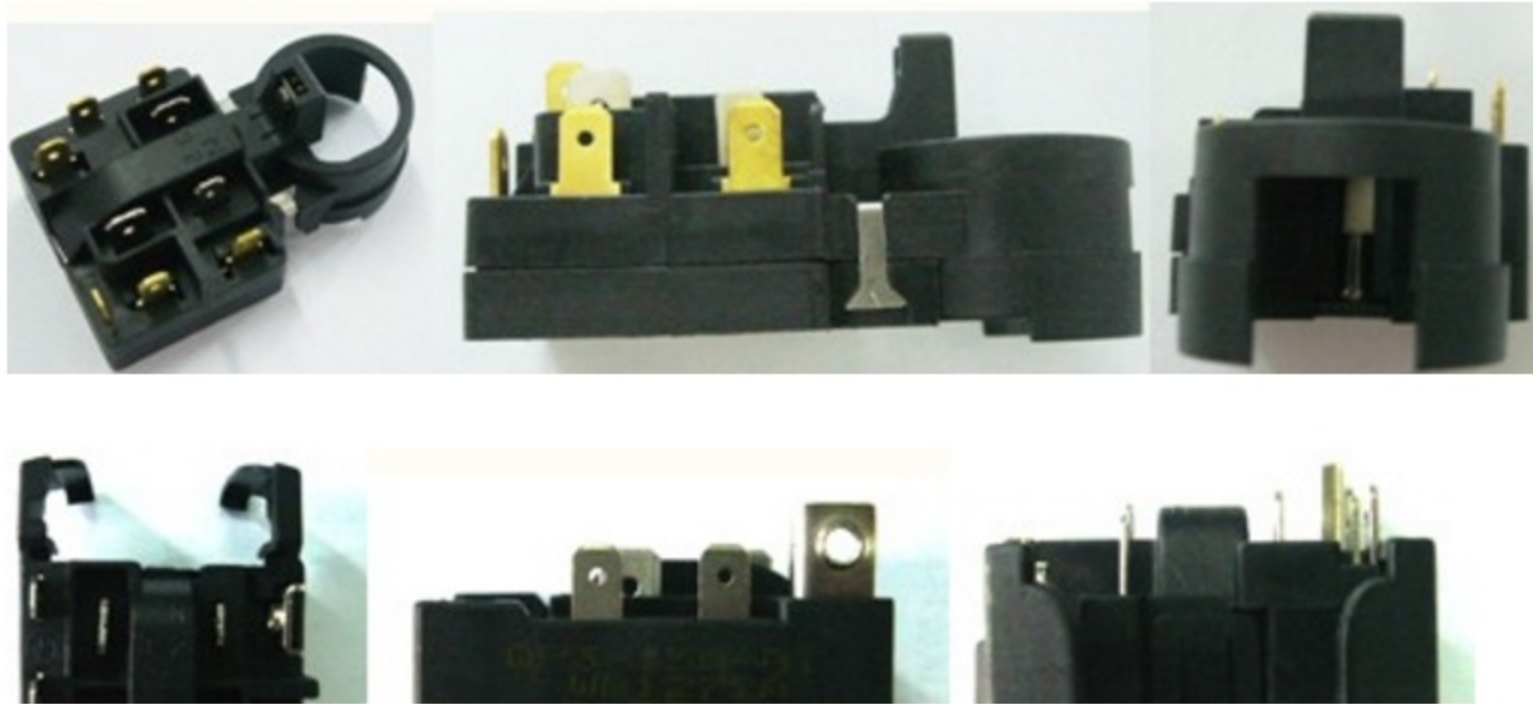


## Combo A Series Starter

### Content introduced:

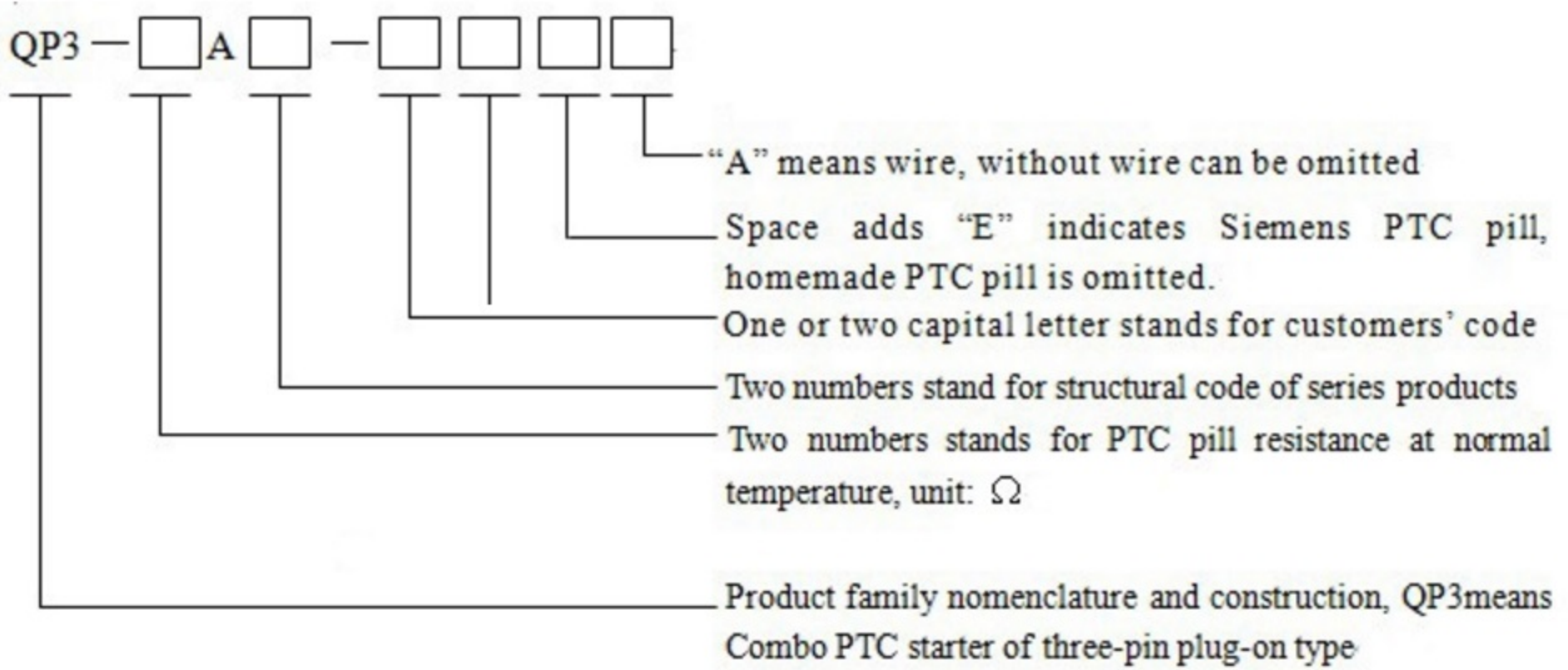
Combo A Series Starter:



### Application & Performance:

This product is used for the starting (PTC) and overload protecting on hermetic motor-compressor for household and the similar refrigeration appliances. It is a kind of three-in-one construction which combines the PTC starting relay, overload protector and the wiring case of refrigeration as a whole body. This product covers all those features of PTC stating relay and overload protector. It simplifies the mounting process and makes the thermostat be inserted directly much easier. The special designed hook-shape connecting terminal fixed on its position to prevent short circuit causing by the insufficient electric gap between terminals, at the same time is also ensures the safety connection of wire L and N and improves running reliability.

### Code System:



### Main Parameters Table

Type	Resistance at normal Temp. ( $\Omega$ )	Max. work voltage (V)	Max. current (A)	Opening time (S)	Closing time (S)	Power consumption (W)	Insulation resistance (M $\Omega$ )		Electric strength
QP3-4.7A	4.7 $\pm$ 20%	180	12	0.4~1.3	$\leq$ 75	<3.3	Normalcy	Humidity	
Remark: 1. Parametric tests is under 25 $^{\circ}$ C 2. Produce products according to customers' required parameter									

### Ambient Conditions:

Safety Certificates: CQC、VDE。

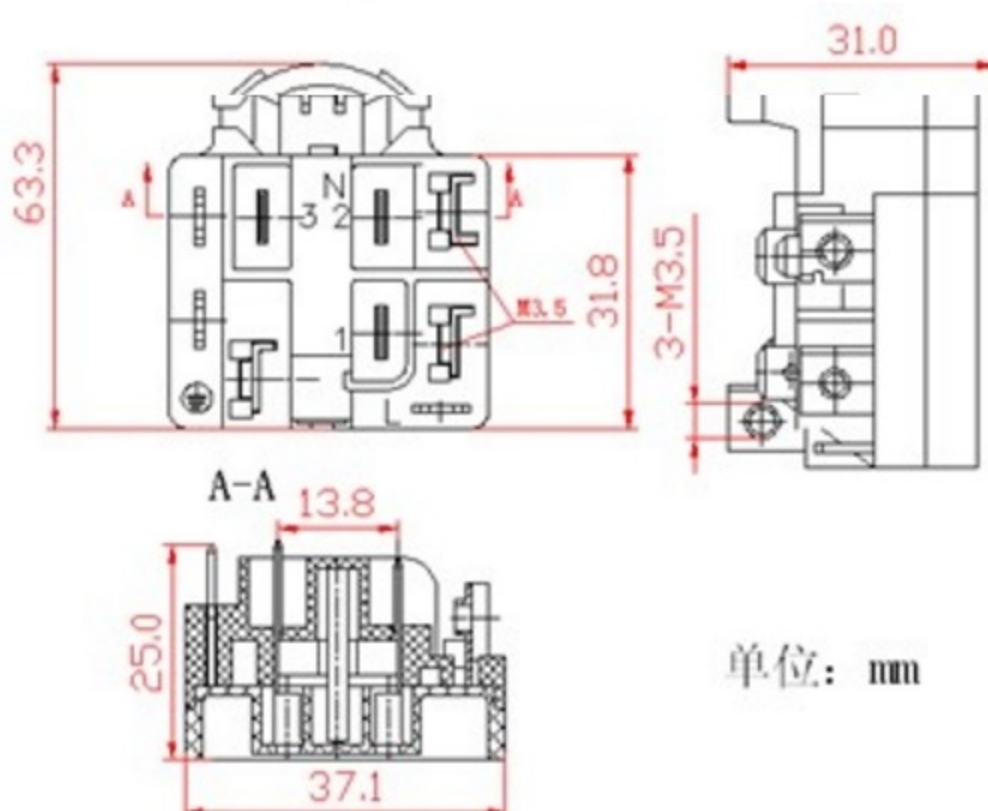
Weight:  $\leq$  30g

Ambient Temperature: -10 $^{\circ}$ C ~ +43 $^{\circ}$ C

Relative Humidity:  $\leq$ 90% (25 $^{\circ}$ C)

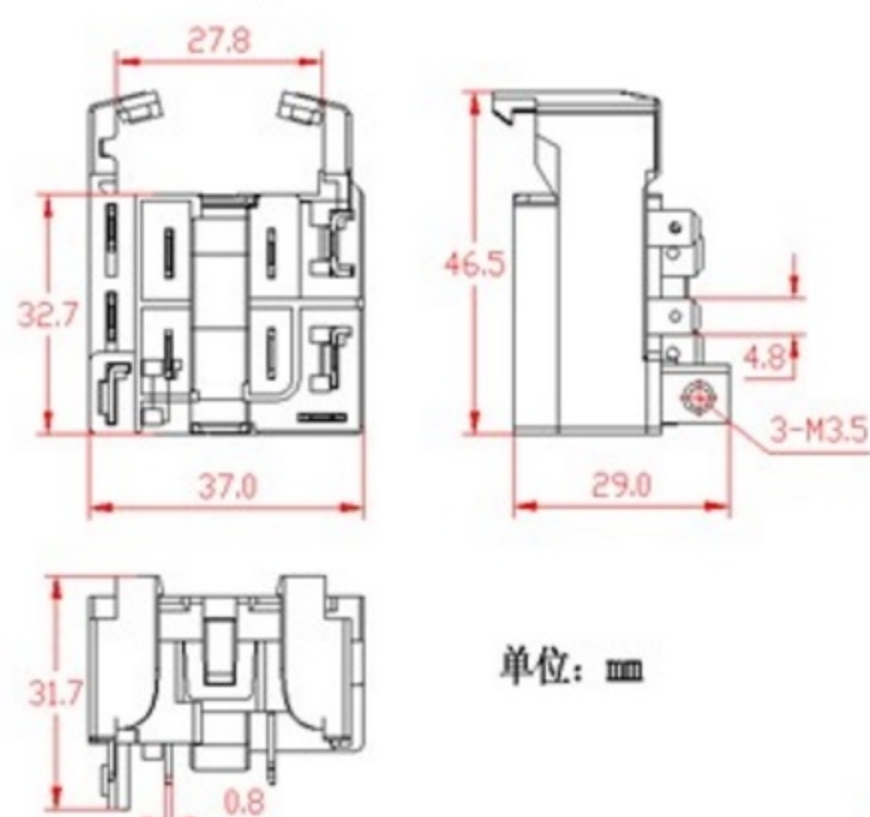
### Dimension

(1) AO1 series product dimension:



Unit: mm

(2) A04 series product dimension:



Unit: mm

Remark: Terminal type 6.3 $\times$ 0.8mm or 4.8 $\times$ 0.8mm or M3.5 $\times$ 6mm screw-type terminal (produce products according to customers' requirements) .